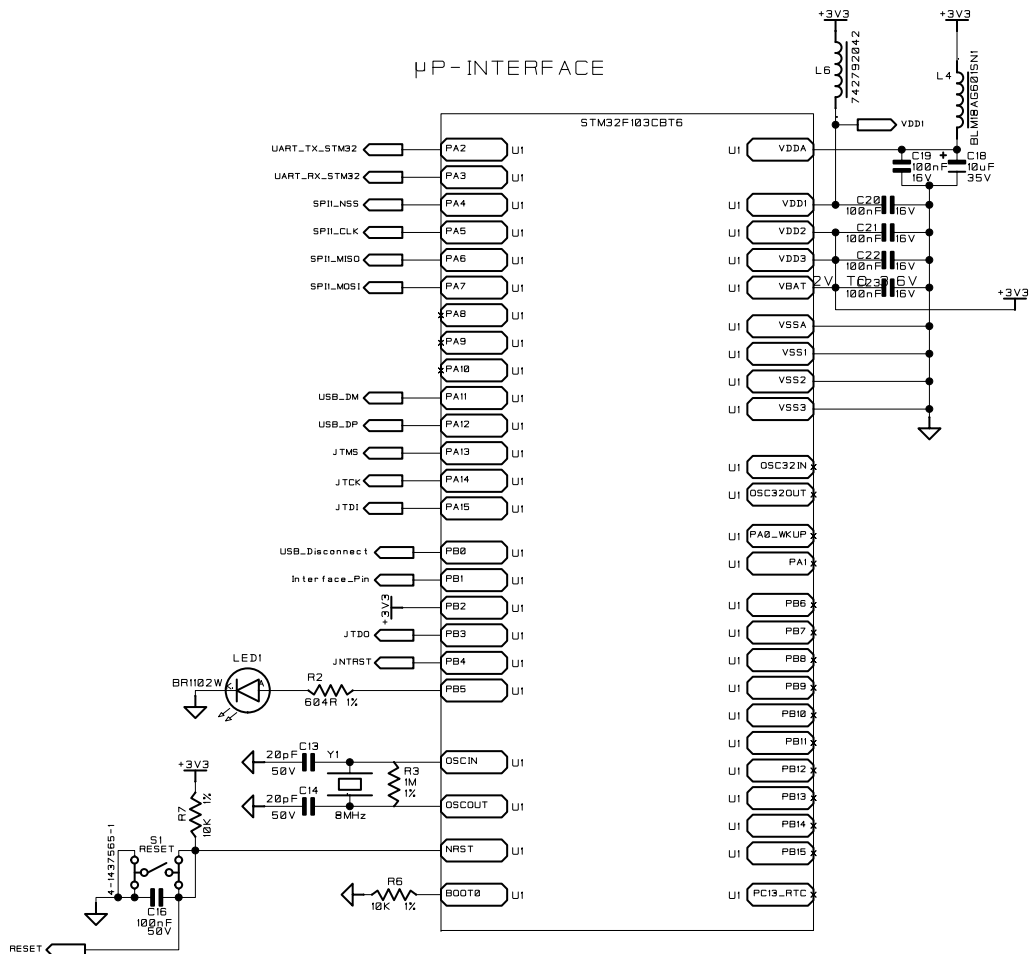
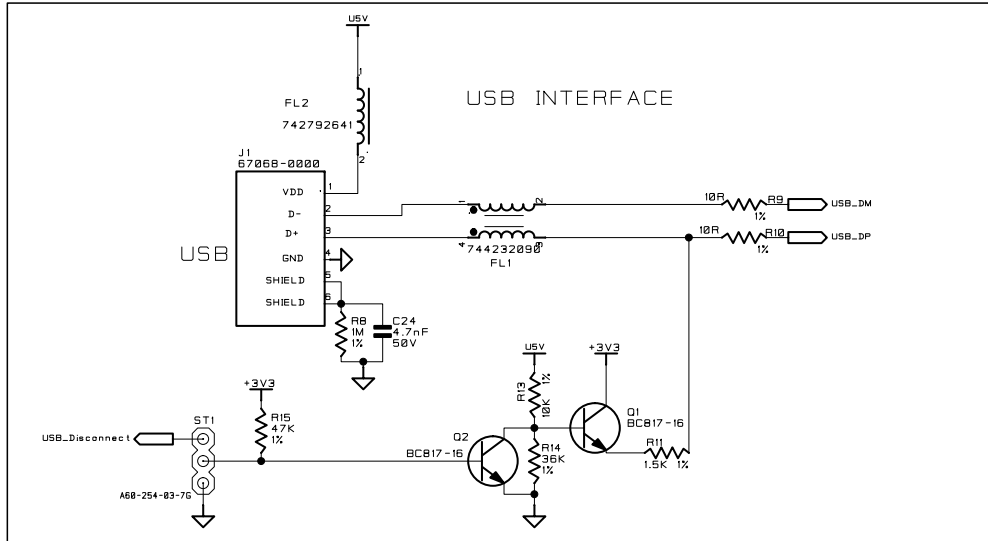


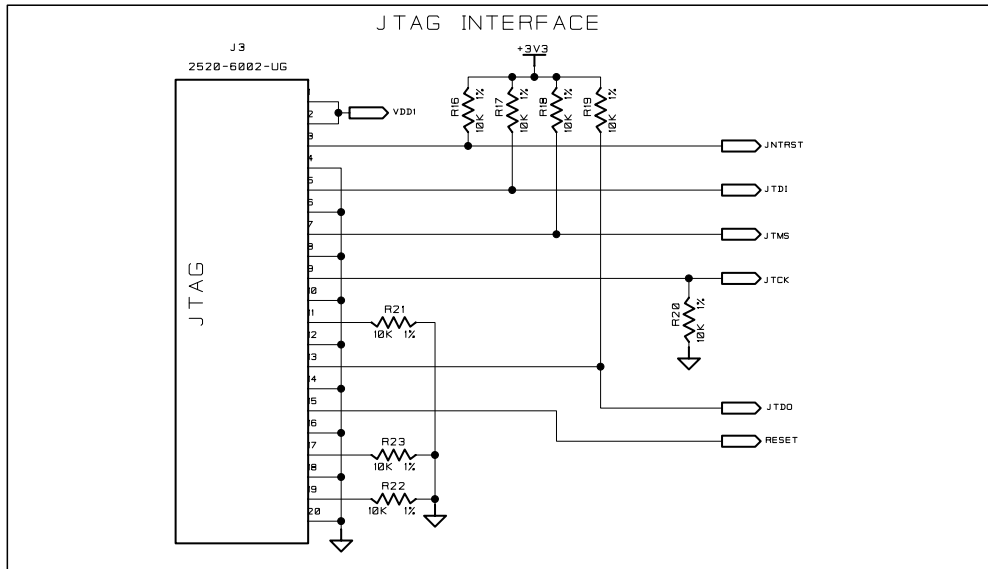
µP- INTERFACE



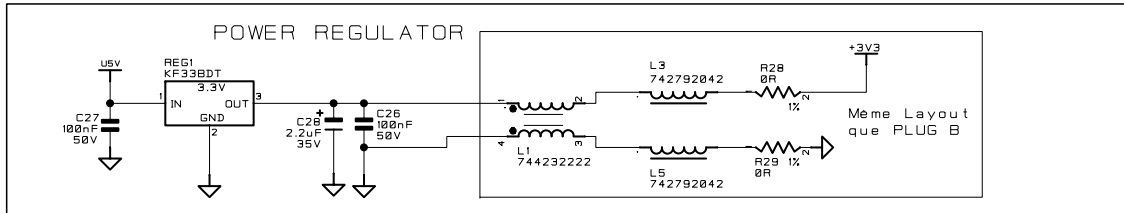
USB INTERFACE



JTAG INTERFACE



POWER REGULATOR



ST® STMicroelectronics

REV0	ORG-EDT	HDU	25/05/12		
REV	MODIF	DESS	DATE	CONTR	DATE

DESIGNER : HDU
DATE : 05/2012

SCALE

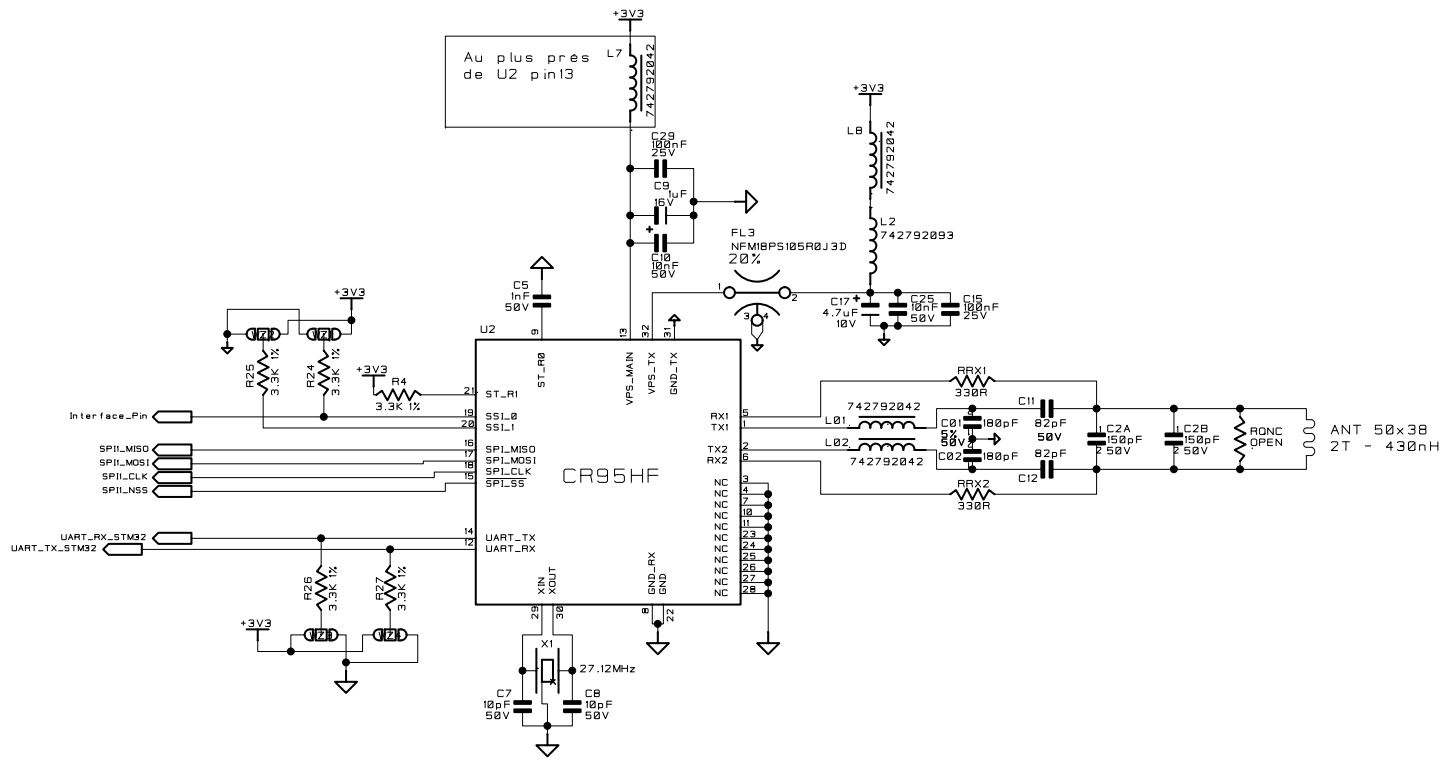
CONTROLLER :
DATE :

GEN. TOL. : ± 0.2

CARTE ANTENNE
CR95HF

SCHÉMATIQUE DRAWING

IND PAGE
1 / 2



® STMicroelectronics

REV0	ORG-EDT	HDU	25/05/12		
REV	MODIF	DESS	DATE	CONTR	DATE

CARTE ANTENNE

CR95HF

DESIGNER : HDU
DATE : 05/2012

CONTROLLER :
DATE :

SCALE

GEN. TOL. : ± 0.2

SCHEMATIC DRAWING

ASY 0019199

IND PAGE
2/2